



Pall Corporation

# UR619

## UR619 Series Filters ULTIPLEAT® SRT RETURN LINE FILTERS

Port Size 1½", 2" and 2½"



### Features

- Patented Ultipleat (laid-over pleat) filter medium pack
- Coreless, cageless element configuration
- Pall Stress-Resistant Technology (SRT) Media
- In-to-out filter element flow path
- Flows to 835 L/min (220 US gpm)
- Pressures to 28 bar (400 psi)
- Port size 1½", 2" and 2½"

### Notes and Specifications

#### Filter Housing

- **Maximum Working Pressure:**  
28 bar (400 psi)
- **Rated Fatigue Pressure:**  
23 bar (330 psi)  
10<sup>6</sup> cycles per NFPA T2.06.01R2-2001
- **Typical Burst Pressure:**  
145 bar (2100 psi)
- **Temperature Range:**  
Fluorocarbon Seals: -29°C to 120°C (-20°F to 250°F)  
60°C (140°F) maximum in HWCF or water glycol fluids  
Consult sales for other fluid group suitability
- **Materials of Construction:**  
Head and tube: Aluminum alloy  
Cover: Ductile Iron

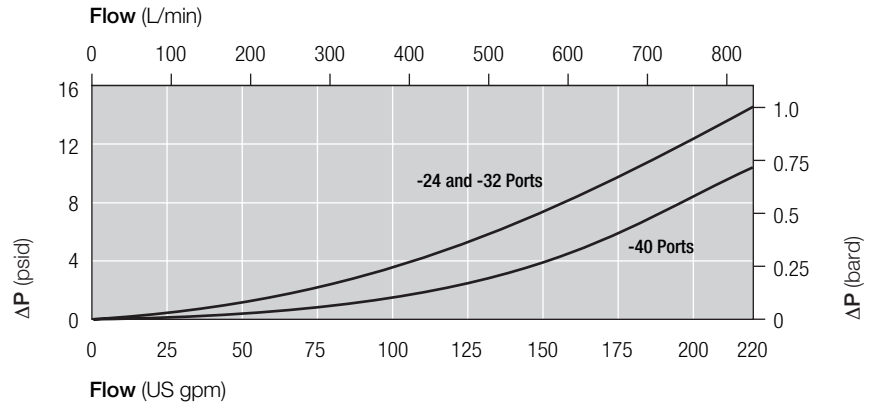
#### Filter Element

- **Filter Element Burst Pressure:**  
10 barg (150 psid)
- **Ultipleat SRT Element Construction:**  
Inorganic fibers impregnated and bonded with epoxy resins. Polymer endcaps. Anti-static media design.

### Pressure Drop Information

#### Housing pressure drop using fluid with 0.9 S.G.

Housing pressure drop is directly proportional to specific gravity..



#### Element Pressure Drop

Multiply actual flow rate times factor in table below to determine pressure drop with fluid at 32 cSt (150 SUS), 0.9 S.G. Correct for other fluids by multiplying new viscosity in cSt/32 (SUS/150) x new S.G./0.9. Note: factors are per 1000 L/min and per 1 US gpm.

#### 619 Series Filter Elements — barg/1000 L/min (psid/US gpm)

Length Code	AZ	AP	AN	AS	AT
20	1.31 (0.072)	0.56 (0.030)	0.43 (0.023)	0.31 (0.017)	0.19 (0.011)
40	0.70 (0.038)	0.30 (0.016)	0.23 (0.013)	0.17 (0.009)	0.10 (0.006)

#### Sample ΔP calculation

UR619 Series 40" length housing with C32 (2" BSP) threaded ports using AN grade media. Operating conditions 500 L/min flow rate using a hydraulic fluid of 50 cSt and specific gravity (s.g.) 1.2.

#### Total Filter ΔP

$$\begin{aligned}
 &= \Delta P \text{ housing} + \Delta P \text{ element} \\
 &= (0.41 \times 1.2/0.9) \text{ barg (housing)} \\
 &+ ((500 \times 0.23/1000) \times 50/32 \times 1.2/0.9) \text{ barg (element)} \\
 &= 0.55 \text{ barg (housing)} + 0.24 \text{ barg (element)} \\
 &= \mathbf{0.79 \text{ barg (11.5 psid)}}
 \end{aligned}$$

The equipment has been assessed in accordance with the guidelines laid down in The European Pressure Directive 97/23/EC and has been classified within Sound Engineering Practice S.E.P. Suitable for use with Group 2 fluids only. Consult Sales for other fluid gas group suitability.

# UR619 Series Filters

## Ordering Information

For new installations, select one complete part number from each section below

### Section 1

#### Housing P/N:

Note: Pall Ultipлект SRT filter housings are supplied without filter elements or warning devices fitted. Never operate the filter unless a filter element is fitted and all warning device ports are sealed.

UR 619 C  ++  Z  9  
Table 1      Table 2      Table 3

Note: Z indicates fluorocarbon seals are standard. Other options are available; contact Pall. The number '9' at the end of the Housing P/N designates 2 indicator ports, one fitted with a plastic shipping plug and the other with a blanking plug.

#### Mounting Bracket P/N:

#### HA8300-BRKT-1

1 bracket and associated hardware  
 Order 2 mounting brackets for 20" length housing.  
 Order 3 mounting brackets for 40" length housing.

#### Seal Kit P/N:

#### UR 619 SK Z

\*Other seal material options are available; Contact Pall.

Table 1: Housing Port Options

Code	Port
A24	1½" SAE J514 straight thread
D24	1½" Flange J518C code 61 with ½"-13 UNC holding bolts
A32	2" SAE J514 straight thread
D32	2" Flange J518C code 61 with ½"-13 UNC holding bolts
D40	2½" Flange J518C code 61 with ½"-13 UNC holding bolts
C24	1½" BSP ISO 228 threads
F24	1½" ISO 6162 split flange with M12 x 1.75 holding bolts
C32	2" BSP ISO 228 threads
F32	2" ISO 6162 split flange with M12 x 1.75 holding bolts
F40	2½" ISO 6162 split flange with M12 x 1.75 holding bolts

Table 2: Housing Length Options

Code	Length (in)*
20	20
40	40

\* Nominal length

Table 3: Housing Bypass Valve Options

Code	Valve
A	1.7 bard - 25 psid
G	4.5 bard - 65 psid
N	Non-Bypass

### Section 2

#### Element P/N:

UE 619   Z  
Table 1      Table 2

Note: Z indicates fluorocarbon seals are standard. Other options are available; contact Pall.

Table 1: Filter Element Options

Code	$\beta_{x(c)} \geq 1000$ based on ISO 16889	CST Rating*
AZ	3	08/04/01
AP	5	12/07/02
AN	7	15/11/04
AS	12	16/13/04
AT	22	17/15/08

\* CST: Cyclic Stabilization Test to determine filter rating under stress conditions, based on SAE ARP4205

Table 2: Filter Element Length Options

Code	Length (in)*
20	20
40	40

\* Nominal length

### Section 3 (At least one Differential Pressure Indicator or 'B' type blanking plug must be ordered)

#### Differential Pressure Indicator P/N:

Note: Two Differential Pressure Indicators can be fitted on this housing

RC   Z    
Table 1      Table 2      Table 3      Table 4

Note: If no differential pressure indicator is selected, 'B' Type blanking plug (P/N HA9000-P8-Kit Z) must be ordered separately and fitted to replace the plastic shipping plug.

Note: Z indicates fluorocarbon seals are standard. Other options are available; contact Pall.

Table 1: Differential Pressure Indicator Options\*

Code	Indicator	'H' Dim.
778NZ	'P' type Visual indicator with thermal lockout	21mm (0.83in)
860MZ	'D' type Visual indicator with no thermal lockout	21mm (0.83in)
861CZ	'L' type Electrical switch (SPDT) with 6" leads	38mm (1.50in)
861CZ	'M' type Electrical switch (SPDT) with DIN43650 connector and matching cap	78mm (3.07in)
861CZ	'R' type Electrical switch (SPDT) and neon light indicator with DIN43650 connector and cap	89mm (3.50in)
771BZ	'S' type Electrical switch (SPDT) with 3-pin MS connector	57mm (2.24in)

\* Other options available on application.

Table 2: Indicator Pressure Setting Option\*

Code	Valve
084	For 'A' Valve Option - Housings (1.1 bard - 16 psid)
091	For 'G' and 'N' Valve Options - Housings (3.5 bard - 50 psid)

\* Other setting options are available; contact Pall.

Table 3: 'M' & 'R'-Type Indicator Codes\*

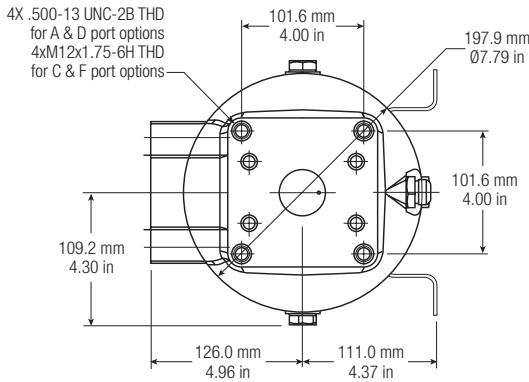
Code	Option
YM	'M' option
YR	'R' option

\* Use only if 'R' or 'M' Indicator is selected from Table 1

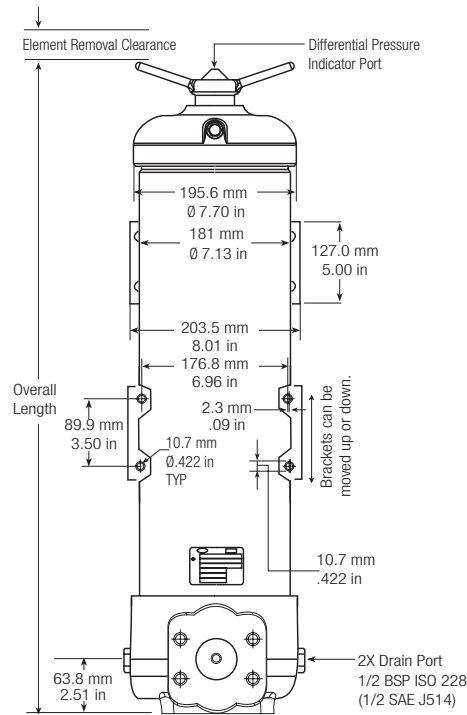
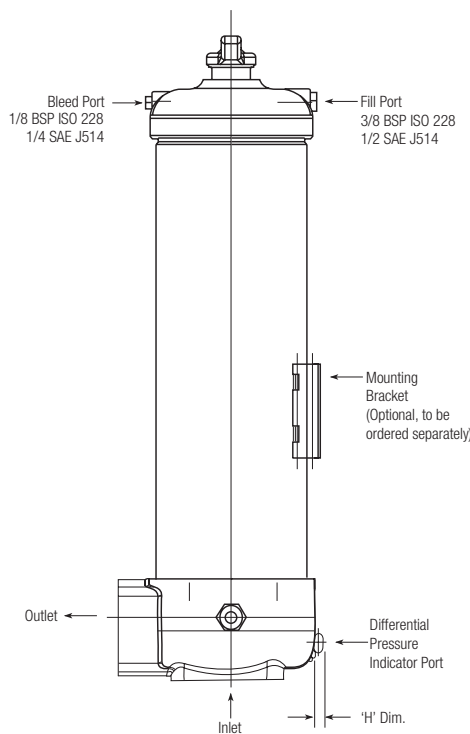
Table 4: 'R' Indicator Options

Code	Option
110AC	110V AC
220AC	220V AC
24DC	24V DC

\* Use only if 'R' Indicator is selected from Table 1



Length Code	Overall Length mm (in)	Element Removal Clearance mm (in)	Empty Weight kg (lb)
20	762 (30)	443 (17.5)	26 (58)
40	1270 (50)	951 (37.5)	36 (80)



Visit us on the web at [www.pall.com](http://www.pall.com)

Pall Corporation has offices and plants throughout the world in locations including: Argentina, Australia, Austria, Belgium, Brazil, Canada, China, France, Germany, India, Indonesia, Ireland, Italy, Japan, Korea, Malaysia, Mexico, the Netherlands, New Zealand, Norway, Poland, Puerto Rico, Russia, Singapore, South Africa, Spain, Sweden, Switzerland, Taiwan, Thailand, United Arab Emirates, United Kingdom, United States, and Venezuela. Distributors are located in all major industrial areas of the world.

Because of developments in technology these data or procedures may be subject to change. Consequently we advise users to review their continuing validity annually. Part numbers quoted above are protected by the Copyright of Pall Europe Limited.

PALL, Pall and Ultipleat are trade marks of Pall Corporation.  
Filtration. Separation. Solution is a service mark of Pall Corporation.  
© indicates a trademark registered in the USA.  
© Copyright 2008, Pall Corporation.

Filtration. Separation. Solution.<sup>sm</sup>

January 2008. Printed in England. IMUR619ENb