



IDL Series Filter Housings

- Single Cartridge Housings Accept Double Open End, RF and 1001 Style Filters
- All Stainless Steel Materials of Construction
- Accepts 1" (2.54 cm), 4" (10.2 cm), 10" (25.4 cm), 20" (50.8 cm), and 30" (76.2 cm) Lengths
- V-Band Clamp Features a Quick Opening T-Handle
- Variety of Inlet/Outlet Sizes and O-ring Seal Options Offered
- Optional Mounting Brackets Available

Housing Specifications

Design Ratings:

V-band Clamp Design: 260 psig (17.9 bar) @ 100°F (40°C)
 200 psig (13.8 bar) @ 300°F (150°C)
 114 psig (7.9 bar) @ 347°F (175°C)¹

NOTE: Above ratings apply to housing only. Cartridge and housing O-ring selection may impose different and narrower limitations.

Materials of Construction:

Head: 316L Stainless Steel
 Bowl: 316 Stainless Steel

Connections:

Inlet/Outlet: 3/4" NPT, 1" NPT, 3/4" BSPT, 1" BSPT,
 1" BSPP

Flange Option: 150 lb. ANSI raised face flanges or BS4504 flanges available for 1" IDL Housings

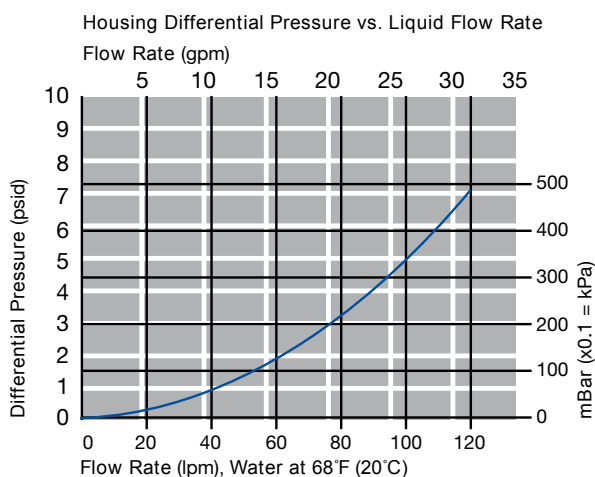
Vent/Drain: 1/4" NPT, BSPT or BSPP
 (refer to ordering information for complete details)

Shell O-rings: FEP Encapsulated Fluorocarbon Elastomer, Silicone Elastomer, Fluorocarbon Elastomer, Nitrile, Ethylene Propylene, Ethylene Propylene for Steam Service

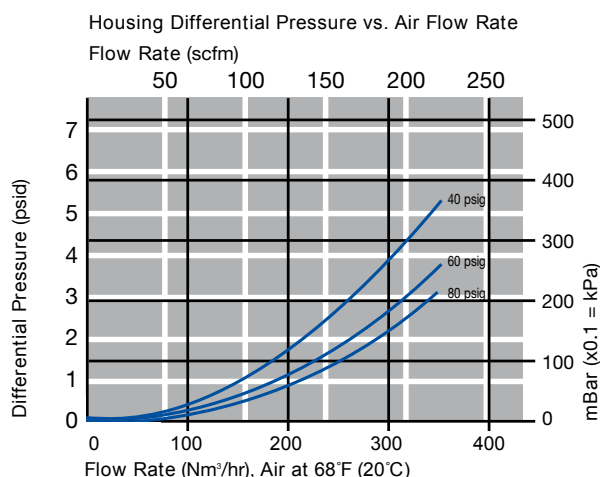


Bracket Option: Stainless steel brackets are available as a standard option.

¹ - For continuous steam service.



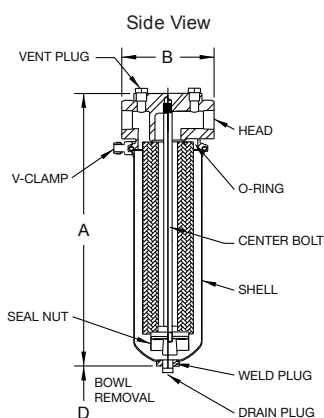
For liquids other than water, multiply differential pressure by specific gravity.



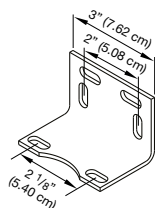
Dimensional Data

Model	Flow ² Rate (gpm/lpm)	Dimensions				Volume Gal/L	Weight Empty	
		A in/mm	B in/mm	C in/mm	D in/mm		Threaded Nozzle lbs/Kg	Flanged Nozzle lbs/Kg
IDLD01	1/3.78	5.81/147.57	4.81/122	9.81/250	3.75/95.25	0.41/1.15	4.5/2.0	-----
IDLD04	4/15	8/203	4.81/122	9.81/250	6/153	0.11/0.4	5.1/2.3	11.9/5.4
IDL1	10/38	14.25/362	4.81/122	9.81/250	12.63/321	0.34/1.3	5.7/2.6	12.5/5.7
IDLD2	20/76	24.25/516	4.81/122	9.81/250	22.5/572	0.74/2.8	6.7/3	13.5/6.1
IDLD3	30/114	34.25/870	4.81/122	9.81/250	32.38/822	1.14/4.3	7.7/3.5	14.5/6.6
IDL101	1/3.78	5.81/147.57	4.81/122	9.81/250	3.75/95.25	0.41/1.15	4.5/2.0	-----
IDL104	4/15	8/203	4.81/122	9.81/250	6/153	0.11/0.4	5.1/2.3	11.9/5.4
IDL11	10/38	14.25/362	4.81/122	9.81/250	12.63/321	0.34/1.3	5.7/2.6	12.5/5.7
IDL12	20/76	24.25/516	4.81/122	9.81/250	22.5/572	0.74/2.8	6.7/3	13.5/6.1
IDL13	30/114	34.25/870	4.81/122	9.81/250	32.38/822	1.14/4.3	7.7/3.5	14.5/6.6

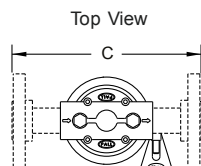
² - Dependent on inlet/outlet selection.



Optional Mounting Bracket



Part #T10567035



Part Numbers/Ordering Information

IDL □ □ G □ □ □ (e.g., IDL D 04 G N12 C2 H13)

Code	Cartridge Style
D	DOE/RF V-band
1	1001 V-band

Code	Bowl Length
01	1" (available in N16 and B16 option only)
04	4"
1	10"
2	20"
3	30"

Code	Inlet/Outlet And Vent/Drain Size
N12	3/4" NPT/1/4" NPT
N16	1" NPT/1/4" NPT
B12	3/4" BSPT/1/4" BSPT
B16	1" BSPT/1/4" BSPT
B17	1" ANSI Flange/1/4" BSPT
N17	1" ANSI Flange/1/4" NPT
P17	1" ANSI Flange/1/4" BSPP
P19	1" BSPP/1/4" BSPP
B35	1" BS4504 Flange/1/4" BSPT
P35	1" BS4504 Flange/1/4" BSPP

Code	Housing Options
Blank	Blank
C2	Passivated
C9	Cleaned For Oxygen Service

Code	Seal Materials
H	Fluorocarbon Elastomer
H1	FEP Encapsulated Fluorocarbon Elastomer
H4	Silicone
H13	Nitrile
J	Ethylene Propylene
J7S	Ethylene Propylene for Continuous Steam Service



Visit us on the Web at www.pall.com

Pall Corporation has offices and plants throughout the world in locations including: Argentina, Australia, Austria, Belgium, Brazil, Canada, China, France, Germany, India, Indonesia, Ireland, Italy, Japan, Korea, Malaysia, Mexico, the Netherlands, New Zealand, Norway, Poland, Puerto Rico, Russia, Singapore, South Africa, Spain, Sweden, Switzerland, Taiwan, Thailand, United Kingdom, United States, and Venezuela. Distributors are located in all major industrial areas of the world.

Filtration. Separation. Solution.SM

© Copyright 2008, Pall Corporation. Pall, and are trademarks of Pall Corporation. ® Indicates a Pall trademark registered in the USA. **Filtration. Separation. Solution** a service mark of Pall Corporation.

Bulletin #1703-3C

7/08



EFC Filtration b.v. | P.O. Box 3034 | 1801 GA Alkmaar | The Netherlands
T +31 (0) 72 540 5454 | efcfiltration.com | info@efcfiltration.com