



IOL Series Filter Housings

- Single Cartridge Housing Accepts AB Style, Single Open End Filter Elements
- All Stainless Steel Materials of Construction
- Accepts 1" (2.54 cm), 5" (12.7 cm), 10" (25.4 cm), 20" (50.8 cm) or 30" (76.2 cm) Code 3, Code 7, Code 8 or Code 18 Filter Cartridges
- In-Line Inlet and Outlet Connections for Easy Installation
- Quick Opening T-Handle V-Band Clamp Facilitates Filter Change Out
- Wide Choice of Inlet/Outlet Sizes and O-ring Seal Options
- Passivated for Purity

Housing Specifications

Design Ratings:

260 psig (17.9 bar) @ 100°F (40°C)

200 psig (13.8 bar) @ 300°F (150°C)

NOTE: Above ratings apply to housing only. Cartridge and housing O-ring selection may impose different and narrower limitations.

Materials of Construction:

Head: 316L Stainless Steel

Bowl: 316 Stainless Steel

Connections:

Inlet/Outlet: 3/4" NPT, 1" NPT, 3/4" BSPT, 1" BSPT

Flange Option: 150 lb. ANSI raised face flanges available for 1" IOL Housings

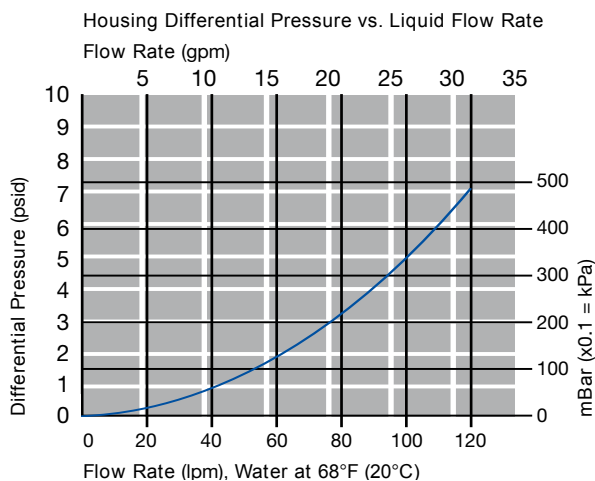
Vent/Drain: 1/4" NPT, BSPT or BSPP

Shell O-rings:

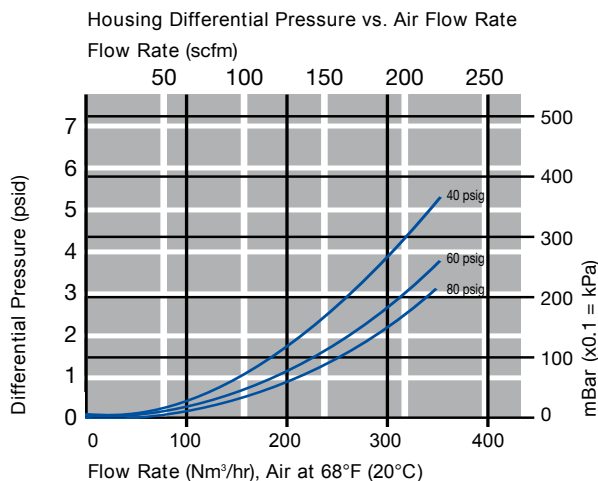
FEP Encapsulated Fluorocarbon Elastomer, Silicone Elastomer, Fluorocarbon Elastomer, Nitrile, Ethylene Propylene, Ethylene Propylene for Steam Service



Bracket Option: Stainless steel brackets are available as a standard option.



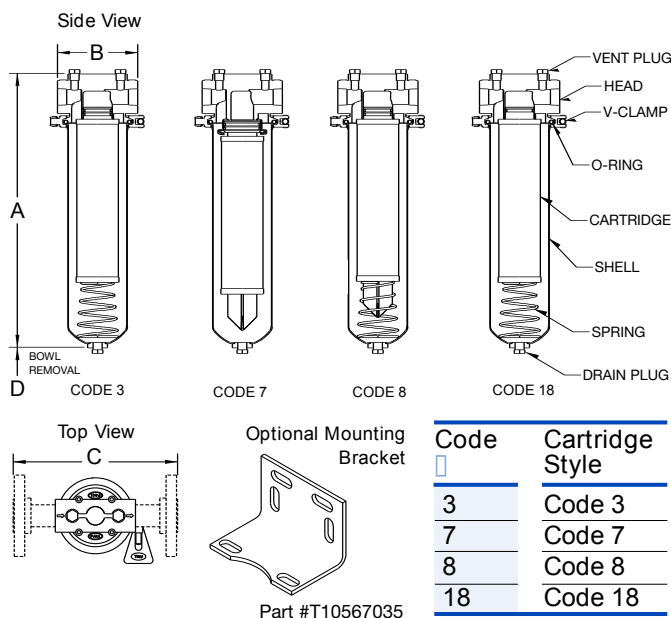
For liquids other than water, multiply differential pressure by specific gravity.



Dimensional Data

Model	Flow ¹ Rate (gpm/lpm)	Dimensions				Volume Gal/L	Weight Empty	
		A in/mm	B in/mm	C in/mm	D in/mm		Threaded Nozzle lbs/Kg	Flanged Nozzle lbs/Kg
IOL301	1/3.78	5.81/147.57	4.81/122	9.81/250	2/50.8	.04 / .15	4.5/2	
IOL305	5/19	12/304.8	4.81/122	9.81/250	4/102	0.11 / 0.4	5.1/2.32	11.9/5.4
IOL31	10/38	16.5/419	4.81/122	9.81/250	12.63/321	0.42/1.6	5.95/2.7	12.8/5.8
IOL32	20/76	26.25/667	4.81/122	9.81/250	22.5/572	0.82/3.1	6.92/3.14	13.7/6.2
IOL33	30/114	36.13/918	4.81/122	9.81/250	32.38/822	1.22/4.6	7.89/3.58	14.7/6.7
IOL701	1/3.78	5.81/147.57	4.81/122	9.81/250	2/50.8	.04 / .15	4.5/2	
IOL705	5/19	12/304.8	4.81/122	9.81/250	4/102	0.11/0.4	5.1/2.32	11.9/5.4
IOL71	10/38	16.5/419	4.81/122	9.81/250	12.63/321	0.42/1.6	5.95/2.7	12.8/5.8
IOL72	20/76	26.25/667	4.81/122	9.81/250	22.5/572	0.82/3.1	6.92/3.14	13.7/6.2
IOL73	30/114	36.13/918	4.81/122	9.81/250	32.38/822	1.22/4.6	7.89/3.58	14.7/6.7
IOL801	1/3.78	5.81/147.57	4.81/122	9.81/250	2/50.8	.04 / .15	4.5/2	
IOL805	5/19	12/304.8	4.81/122	9.81/250	4/102	0.11/0.4	5.1/2.32	11.9/5.4
IOL81	10/38	16.5/419	4.81/122	9.81/250	12.63/321	0.42/1.6	5.95/2.7	12.8/5.8
IOL82	20/76	26.25/667	4.81/122	9.81/250	22.5/572	0.82/3.1	6.92/3.14	13.7/6.2
IOL83	30/114	36.13/918	4.81/122	9.81/250	32.38/822	1.22/4.6	7.89/3.58	14.7/6.7
IOL1801	1/3.78	5.81/147.57	4.81/122	9.81/250	2/50.8	.04 / .15	4.5/2	
IOL1805	5/19	12/304.8	4.81/122	9.81/250	4/102	0.11/0.4	5.1/2.32	11.9/5.4
IOL181	10/38	16.5/419	4.81/122	9.81/250	12.63/321	0.42/1.6	5.95/2.7	12.8/5.8
IOL182	20/76	26.25/667	4.81/122	9.81/250	22.5/572	0.82/3.1	6.92/3.14	13.7/6.2
IOL183	30/114	36.13/918	4.81/122	9.81/250	32.38/822	1.22/4.6	7.89/3.58	14.7/6.7

¹ - Dependent on inlet/outlet selection.



Part Numbers/Ordering Information

IOL □ □ G □ □ (e.g., IOL 3 1 G N12 H13)

Code	Bowl Length		
01	1" (Available in Code 3 only, with N16 or B16 option)	1	10"
		2	20"
05	5"	3	30"

Code	Inlet/Outlet And Vent/Drain Size
N12	¾" NPT/¼" NPT
N16	1" NPT/¼" NPT
B12	¾" BSPT/¼" BSPT
B16	1" BSPT/¼" BSPT
B17	1" ANSI Flange/¼" BSPT
N17	1" ANSI Flange/¼" NPT
P17	1" ANSI Flange/¼" BSPP
P19	1" BSPP/¼" BSPP
B35	1" BS4504 Flange/¼" BSPT
P35	1" BS4504 Flange/¼" BSPP

Code	Seal Materials		
H	Fluorocarbon Elastomer	H4	Silicone
		H13	Nitrile
H1	FEP Encapsulated Fluorocarbon Elastomer	J	Ethylene Propylene
		J7	Ethylene Propylene for Steam Service

Visit us on the Web at www.pall.com

Pall Corporation has offices and plants throughout the world in locations including: Argentina, Australia, Austria, Belgium, Brazil, Canada, China, France, Germany, India, Indonesia, Ireland, Italy, Japan, Korea, Malaysia, Mexico, the Netherlands, New Zealand, Norway, Poland, Puerto Rico, Russia, Singapore, South Africa, Spain, Sweden, Switzerland, Taiwan, Thailand, United Kingdom, United States, and Venezuela. Distributors are located in all major industrial areas of the world.



Filtration. Separation. Solution.SM

© Copyright 2006, Pall Corporation. Pall, and are trademarks of Pall Corporation. ® Indicates a Pall trademark registered in the USA. Filtration. Separation. Solution.SM is a service mark of Pall Corporation.

Bulletin #1704-1C

12/06



EFC Filtration b.v. | P.O. Box 3034 | 1801 GA Alkmaar | The Netherlands
T +31 (0) 72 540 5454 | efcfiltration.com | info@efcfiltration.com